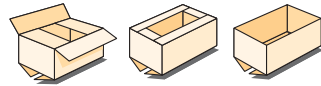


Case Erectors



Self-adhesive tape
Hotmelt glue

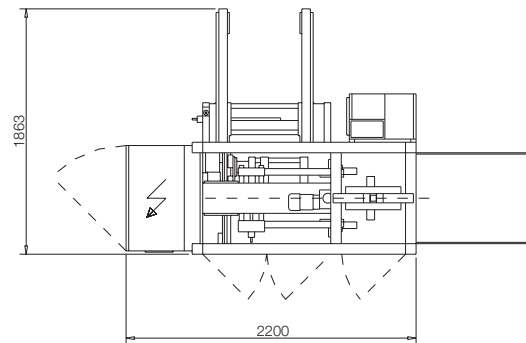


Series 111

Technical data

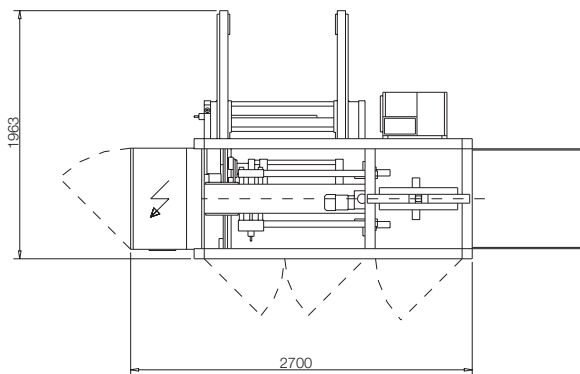
Series 111

Range of operation in mm	Capacity cases per min.	Types of cases
L 150 - 400 W 100 - 300 H 80 - 400	up to 20	FEFCO 0201 FEFCO 0200 FEFCO 0209
Other sizes available	Higher capacity depending on case sizes	Also available for others



Series 112

Range of operation in mm	Capacity cases per min.	Types of cases
L 200 - 600 W 200 - 400 H 80 - 400	up to 15	FEFCO 0201 FEFCO 0200 FEFCO 0209
Other sizes available	Higher capacity depending on case sizes	Also available for others



Design features

- Sturdy welded steel construction
- Large-sized protective door panelling
- Compact dimensions
- Extensively or completely anticorrosive design
- Central operational control by means of electronic positional measurement
- PLC (programmable logic control)
- Touch panel with plain-language display of operating status
- Wear-resistant linear-axes
- Size adjustment without change parts or tools in a few minutes

Functional features

- Motorized case magazine with generous useful length
- Cases opened from two ends
- Case conveyor with positive entrainment
- Flap folding by levers
- Choice of case sealing methods

Erecting station



Case magazine



bedo[®]

VERPACKUNGSTECHNIK

bedo Verpackungstechnik GmbH

Herrenholz 10-12
D-23556 Lübeck

Telefon (0451) 8101 - 0
Telefax (0451) 8101 - 144

